



**Features**

Series:	T
Type:	20
Code and description:	78211210EN00200300
Customer's code:	-
Colour:	Yellow

**Last drawing**

Index: -	Date: -
----------	---------

**Application**

-
---

**Driveline data**

X	1 3/8" Z6 DIN 9611
Y	1 3/8" Z6 DIN 9611
E	1085-42.72"
I	1100-43.31"
P	1020-40.16"

**Overlap**

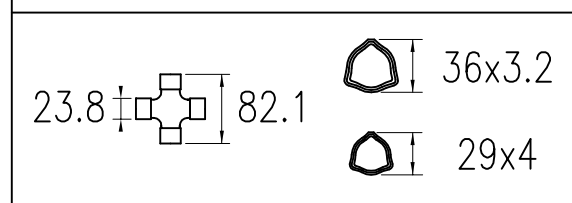
	Steel tubes	Guard
Max.	1065-41.93"	1000-39.37"
Min.	532-20.94"	467-18.38"

**Greasing point**

1)	-
2)	-

The dimensioning is cross to cross

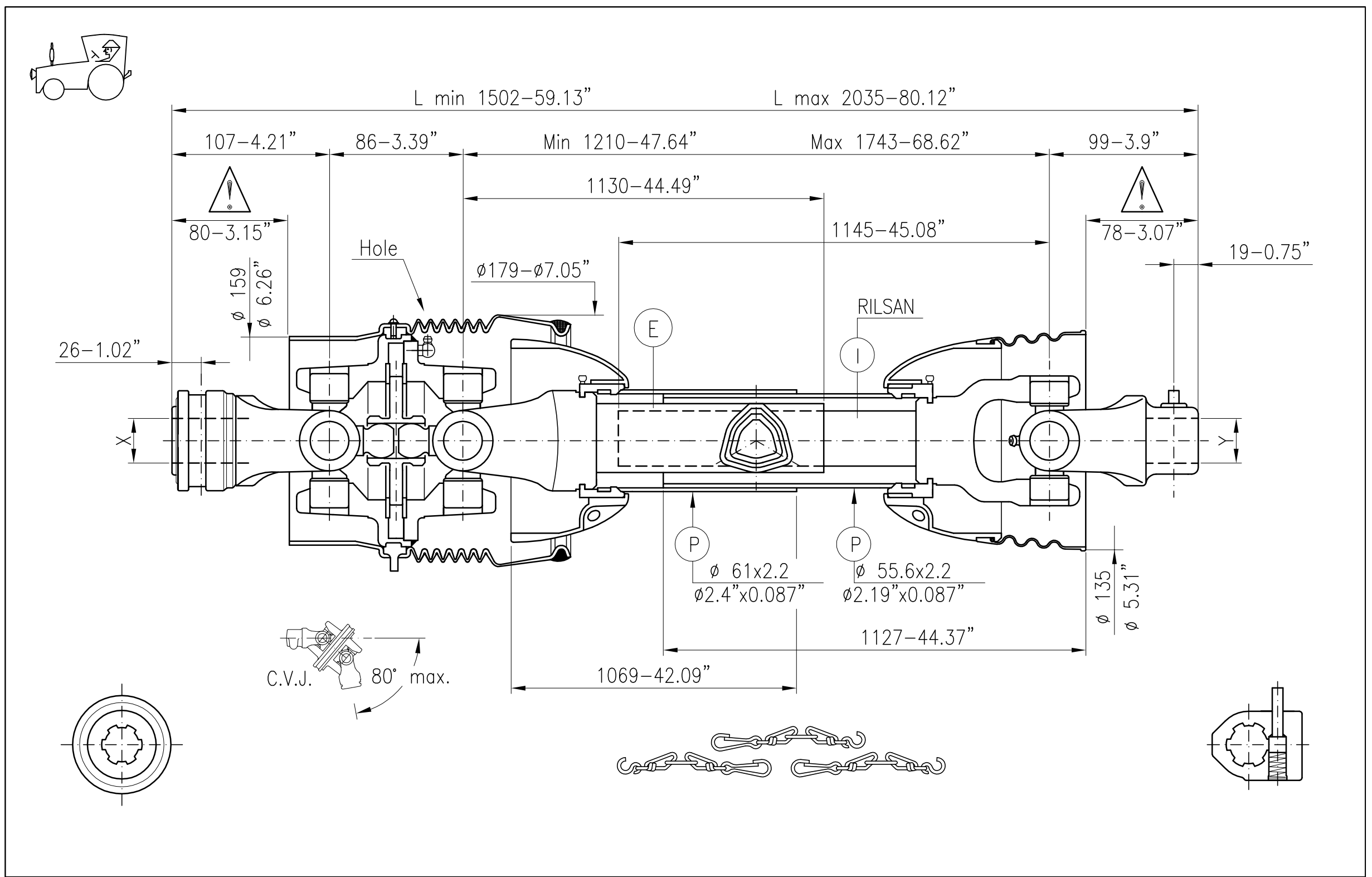
**Cross and tubes**



End fittings	Max. torque
Tractor Cod: C02	-
Implement Cod: 112	-

Notes:  
 CE CERTIFIED

**Warning !**  
 Sections of driveline marked are not shielded and must be shielded by an interactive guarding system.  
 COMER spa. declines responsibility if proper guards are not provided or maintained.



**Data 540 r.p.m.**

KW	CV	Nm.	in.lb.
15	21	270	2400

**Data 1000 r.p.m.**

KW	CV	Nm.	in.lb.
23	31	220	1950

1100 min.<sup>-1</sup>  
 r.p.m. max.

**Data for only critical velocity**

540 r.p.m.	1000 r.p.m.
Max. 1743-68.62"	Max. 1610-63.38"
L max. 2035-80.12"	L max. 1902-74.88"

**Customer:**  
 -  
**Date:** 12-05-06

Continuous operation data and conditions, working angle 5°, average life 1000 hours

**Checked:**      **Signed by:** T.M.